

Features

- Nichia LED with Vf=6V, high-power 1W, 3030 package
- Aluminum PCB adopted, for better heat diffusion
- Good Back light source with high brightness and uniform light
- Reversed polarity connect protection, no damage to bar if positive and negative connection reversed
- Adopt WOGO 2060 connector or AMPR connector(Female/male), more convenient for installation
- Constant current IC: Ensure the stability of the product performance and less brightness decay

Application

Sign light Box 5-10CM

BLUEVIEW ELEC-OPTIC TECH CO.,LTD

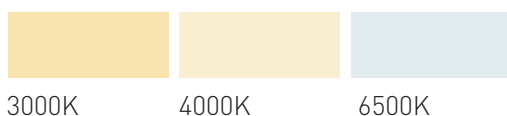
Tel: +86-28-8148 0011 Fax: +86-28-8148 1258
 Mail: sales@blueviewled.com Web.: www.blueviewled.com
 Add: No.1000, Section 2, 2nd Konggang Road, Southwest
 Aviation Industrial Development Zone, Chengdu, Sichuan, China.
 Zip code: 610207

Specifications are subject to change without notice.
 ©Blueview™ 2016 – All rights reserved. Made in China.

Specifications

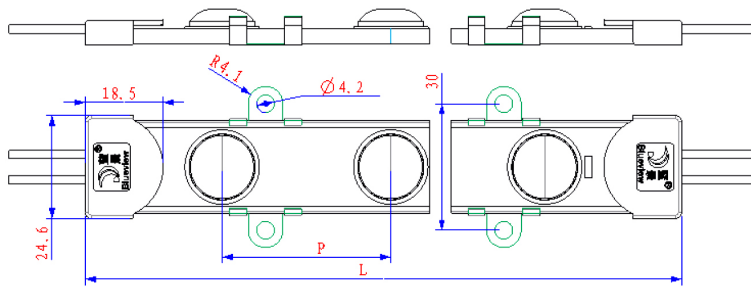
Code Name	FYD7 3.0-2403	FYD7 3.0-4806	FYD7 3.0-9612
Color	White		
CCT(K)	6500-7000		
View Angle(°)	160		
Luminous Flux(lm)	357	708	1375
RA	80		
Light Efficiency(lm/w)	96.4	94.4	91.7
Voltage	24V DC		
Current(MA)	155	310	620
Power(W/pcs)	3.7	7.5	15
Standard Serial connection Qty (pcs)	8	4	2
Operating Temperature(°C)	-25~+60		
Storage Temperature(°C)	-25~+70		
Protection Class	IP 65		

Color Available



Dimension

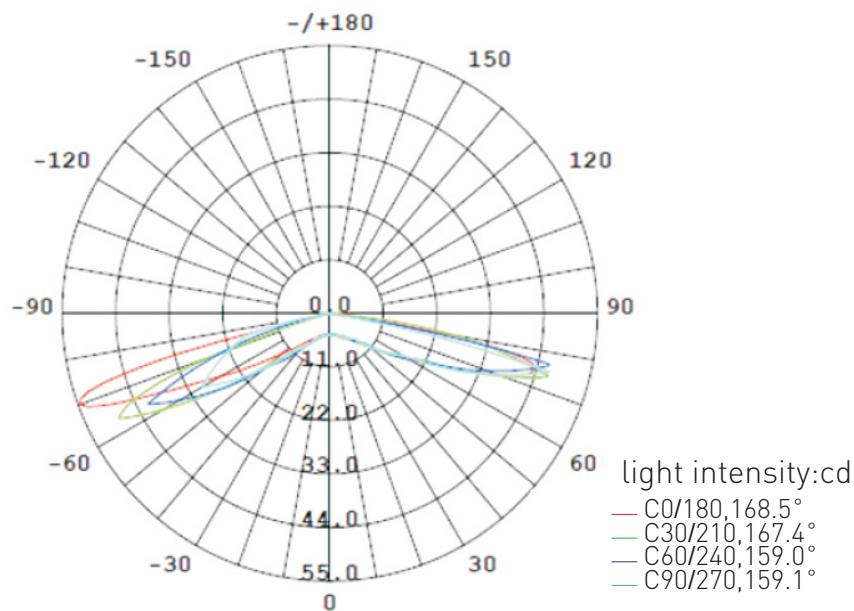
Unit:mm[in]



Model No.	Product Size L*W*H(mm)	Size"L" (mm)	Size"P" (mm)
FYD7 3.0-2403	253*22.2*8.1	253	80
FYD7 3.0-4806	493*22.2*8.1	493	80
FYD7 3.0-9612	973*22.2*8.1	973	80.83

NOTE:Please ask the sales for detail drawing.

Luminous Intensity Distribution Diagram



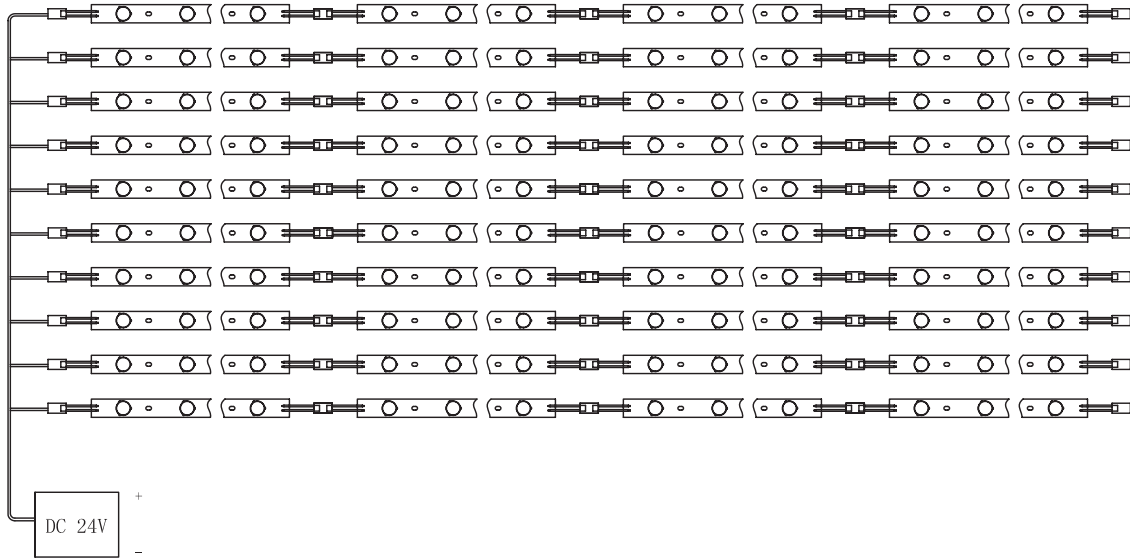
THE AVERAGE BEAM ANGLE(50%):163.5 DEG

BLUEVIEW ELEC-OPTIC TECH CO.,LTD

Tel: +86-28-8148 0011 Fax: +86-28-8148 1258
 Mail: sales@blueviewled.com Web.: www.blueviewled.com
 Add: No.1000, Section 2, 2nd Konggang Road, Southwest
 Aviation Industrial Development Zone, Chengdu,Sichuan, China.
 Zip code: 610207

Specifications are subject to change without notice.
 ©Blueview™ 2016 – All rights reserved. Made in China.

Installation



Installation scheme for reference

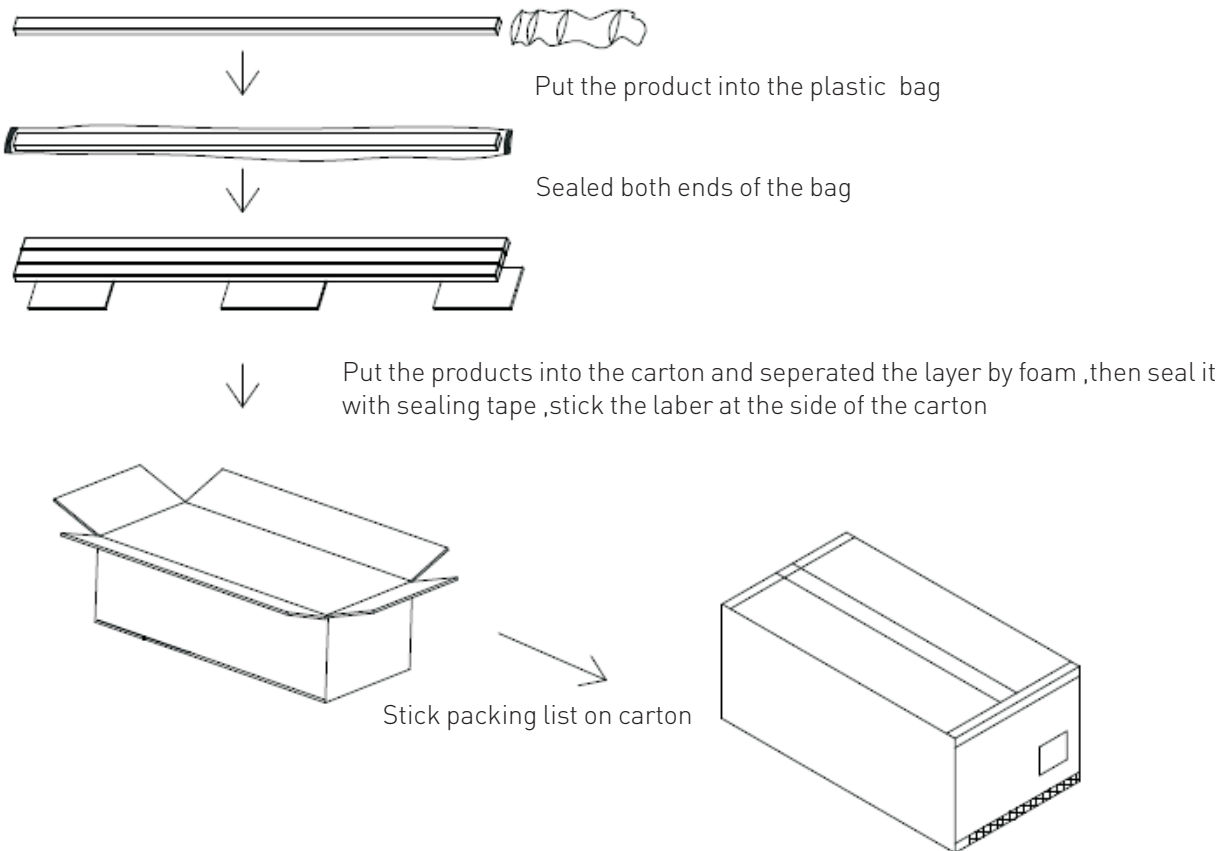
① 3mm Thickness Acrylic

Thickness	Bar to Bar Distance	Qty/m ²	Illumination
4cm	9cm	12pcs	7710-10800lux
5cm	11cm	10pcs	5870-8720lux
7cm	15cm	7pcs	4620-5890lux
10cm	15cm	7pcs	4280-5630lux
12cm	17cm	6pcs	2950-5130lux

② Lightbox Blank Fabric (no picture)

Thickness	Bar to Bar Distance	Qty/m ²	Illumination
4cm	8cm	13pcs	6620-8370lux
5cm	9cm	12pcs	4750-7290ux
7cm	15cm	7pcs	2980-4360ux
10cm	17cm	6pcs	2980-4360lux
12cm	17cm	6pcs	2320-3480ux

Package



Notice:

1. Carton size: outside carton with five layers of cardboard.Specification as below:

Part No.	Product size	Carton size (mm)	Qty per carton	Net weight (NW/kg)	Gross weight (GW/kg)
FYD7 3.0 -2403	253*22.2	390*390*325	300	21.32(1±10%)	22.65(1±10%)
FYD7 3.0 -4806	493*22.2	700*185*185	60	8.53(1±10%)	10.02(1±10%)
FYD7 3.0 -9612	973*22.2	1200*185*185	60	14.53(1±10%)	16.02(1±10%)

2. This product packed by transparent PE bag, two pieces in one bag.

3. Above mentioned quantity and weight are based on above packing method only, quantity and weight differs when applying other packing, please refer to actual situation.

BLUEVIEW ELEC-OPTIC TECH CO.,LTD

Tel: +86-28-8148 0011 Fax: +86-28-8148 1258
 Mail: sales@blueviewled.com Web.: www.blueviewled.com
 Add: No.1000, Section 2, 2nd Konggang Road, Southwest
 Aviation Industrial Development Zone, Chengdu,Sichuan, China.
 Zip code: 610207

Specifications are subject to change without notice.
 ©Blueview™ 2016 – All rights reserved. Made in China.