



Features

- Adopt Nichia 3030 SMD leds
- With Optical lens and view angle 160 degree
- SA2-01 connector, no distinguish female or male, easier for installation
- Good Back-lit source with high brightness and constant current design to ensure uniform light
- Aluminum PCB adopted, for better heat diffusion

Application

Sign light Box 4-10CM

BLUEVIEW ELEC-OPTIC TECH CO.,LTD

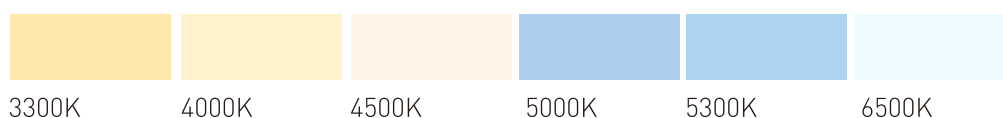
Tel: +86-28-8148 0011 Fax: +86-28-8148 1258
Mail: sales@blueviewled.com Web.: www.blueviewled.com
Add: No.1000, Section 2, 2nd Konggang Road, Southwest
Aviation Industrial Development Zone, Chengdu, Sichuan, China.
Zip code: 610207

Specifications are subject to change without notice.
© Blueview™ 2016 – All rights reserved. Made in China.

Specifications

Code Name	YD8 3.0-0507	YD8 3.0-1014
Color	White	
CCT(K)	6500-7000	
View Angle(°)	160	
Luminous Flux(lm)	366	703
RA	80	
Light Efficiency(lm/w)	114	110
Voltage	24V DC	
Current(MA)	155	270
Power(W/pcs)	3.1	6.3
Standard Serial connection Qty (pcs)	8	4
Operating Temperature(°C)	-25~+60	
Storage Temperature(°C)	-25~+70	
Protection Class	IP 60	

Color Available



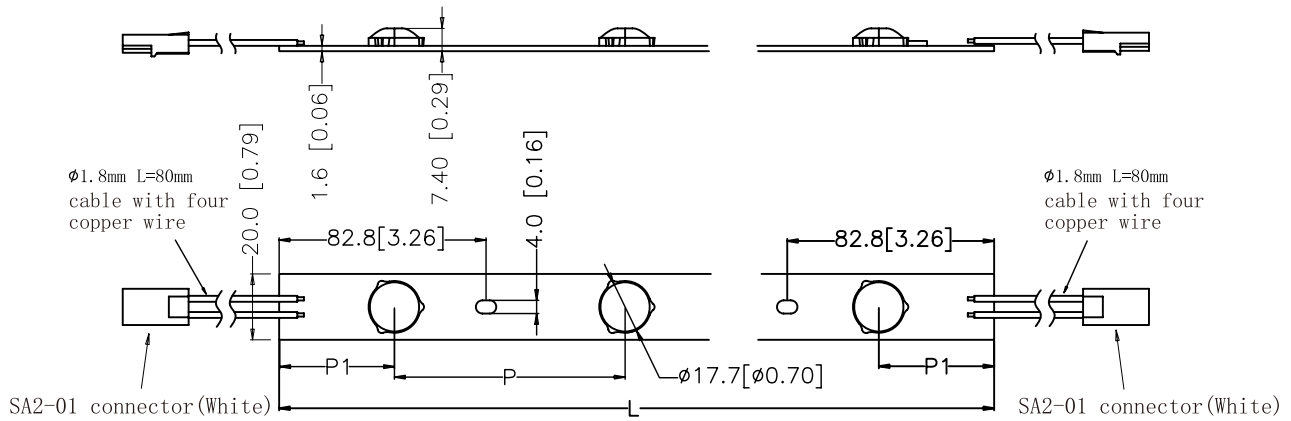
BLUEVIEW ELEC-OPTIC TECH CO.,LTD

Tel: +86-28-8148 0011 Fax: +86-28-8148 1258
 Mail: sales@blueviewled.com Web.: www.blueviewled.com
 Add: No.1000, Section 2, 2nd Konggang Road, Southwest
 Aviation Industrial Development Zone, Chengdu, Sichuan, China.
 Zip code: 610207

Specifications are subject to change without notice.
 ©Blueview™ 2016 – All rights reserved. Made in China.

Dimension

Unit:mm[in]

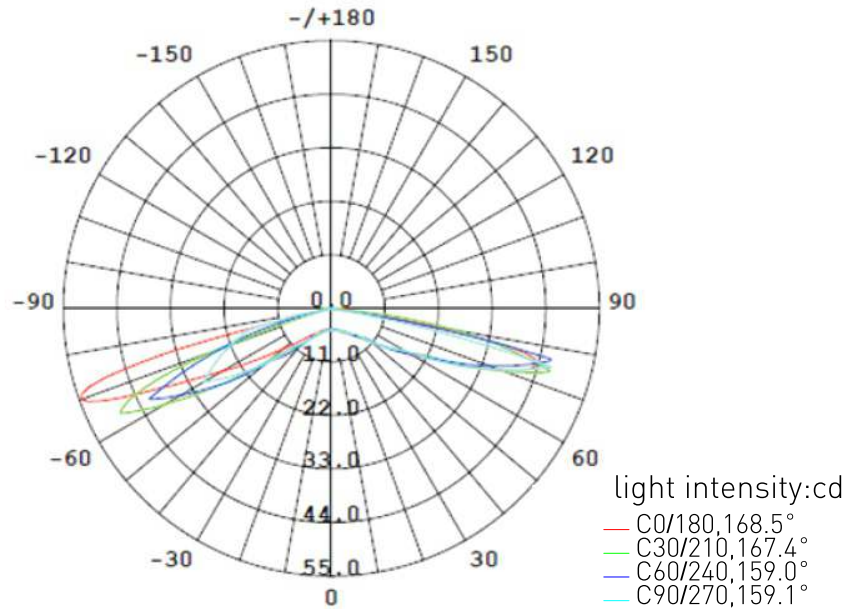


Length:

YD8 3.0-0507=490[22.05]

YD8 3.0-1014=980[44.09]

Luminous Intensity Distribution Diagram



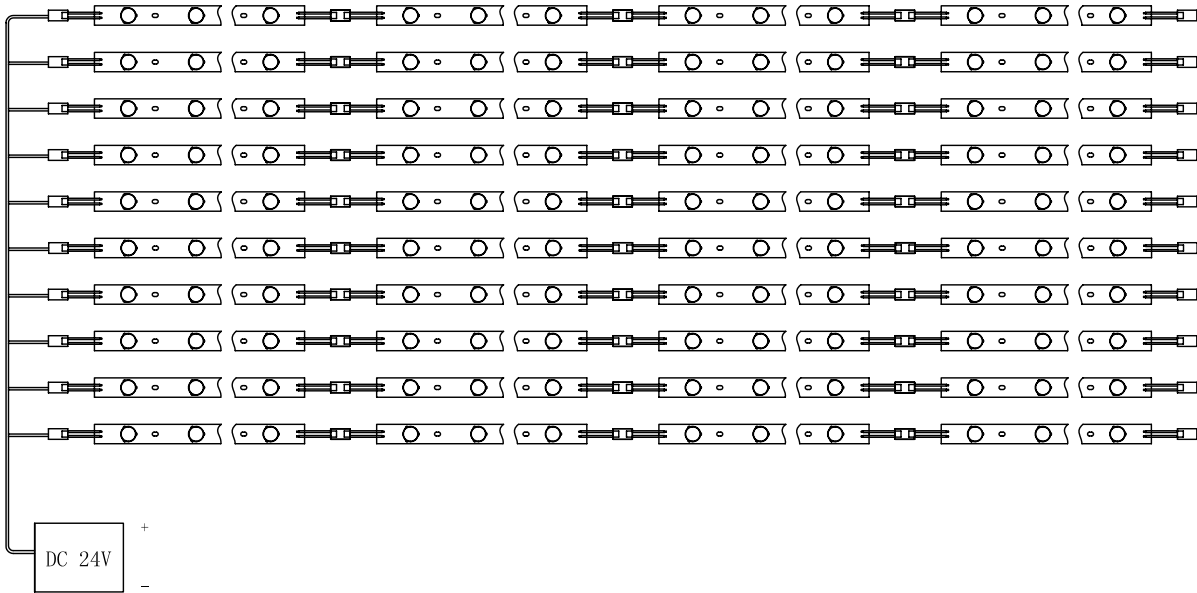
THE AVERAGE BEAM ANGLE(50%):163.5 DEG

BLUEVIEW ELEC-OPTIC TECH CO.,LTD

Tel: +86-28-8148 0011 Fax: +86-28-8148 1258
 Mail: sales@blueviewled.com Web.: www.blueviewled.com
 Add: No.1000, Section 2, 2nd Konggang Road, Southwest
 Aviation Industrial Development Zone, Chengdu,Sichuan, China.
 Zip code: 610207

Specifications are subject to change without notice.
 ©Blueview™ 2016 – All rights reserved. Made in China.

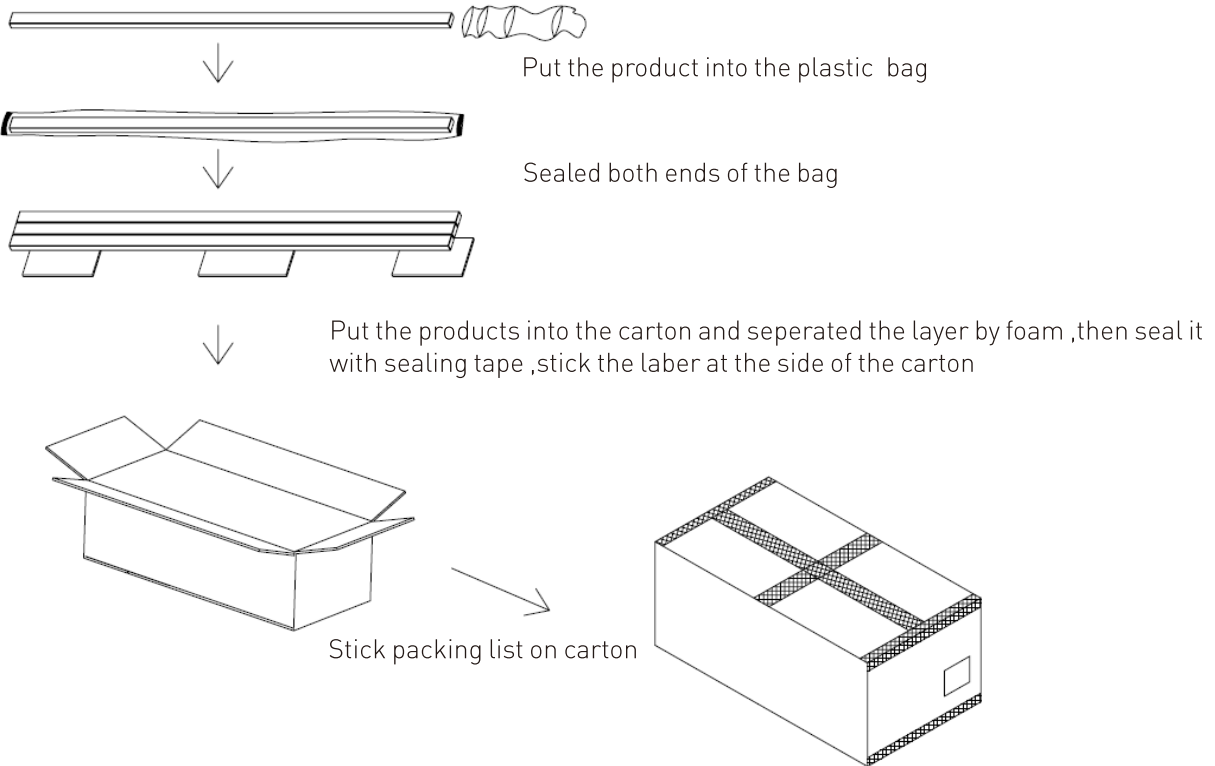
Installation



Installation scheme for reference

Thickness	Bar to Bar Distance	Qty/m ²	Illumination
5cm	10cm	10pcs	5250-6640lux
7cm	10cm	10pcs	3760-6570lux
8cm	11cm	9pcs	3790-5570lux
10cm	13cm	8pcs	2820-4900lux

Package



Notice:

1. Carton size: outer packaged with five layers of cardboard, the three model takes cartons with different sizes, please see as follows.
2. This product packaged by transparent PE pocker, one piece in one pocket

Part No.	Product size	Carton size (mm)	Qty per carton	Net weight (NW/kg)	Gross weight (GW/kg)
YD8 3.0-0507	490*20	570*375*285	160	9.82[1±10%]KG	11.3[1±10%]KG
YD8 3.0-1014	980*20	1100*300*280	140	15.02[1±10%]KG	16.62(1±10%)KG

BLUEVIEW ELEC-OPTIC TECH CO.,LTD

Tel: +86-28-8148 0011 Fax: +86-28-8148 1258
 Mail: sales@blueviewled.com Web.: www.blueviewled.com
 Add: No.1000, Section 2, 2nd Konggang Road, Southwest
 Aviation Industrial Development Zone, Chengdu,Sichuan, China.
 Zip code: 610207

Specifications are subject to change without notice.
 ©Blueview™ 2016 – All rights reserved. Made in China.